

INT277 LA[®] Level monitor

INT277 LA[®]



INT277 LA

Application

The optical level monitor INT277 LA is employed for contactless single point measurement of fluid levels, e.g. on compressors, pumps, tanks, etc. The solution consists of a screw-in part and an evaluation unit. The screw-in part for optical level monitoring is permanently built-in at the measuring point. The electronic evaluation unit can be mounted or replaced without opening the circuit of the medium to be monitored.

Functional description

Light pulses of the device are refracted in fluids and reflected in gaseous environments. This allows the INT277 LA to detect the fluid level reliably.

After the compressor starts up and the starting transition time has elapsed, the level monitoring is active.

If the level is too low or there is an error, the relay drops out locked: restarting only after a reset.

The potential-free, change-over contact can be looped into a safety circuit without an auxiliary relay.

An integrated own monitoring system ensures high reliability; an installation check monitors the proper assembly.

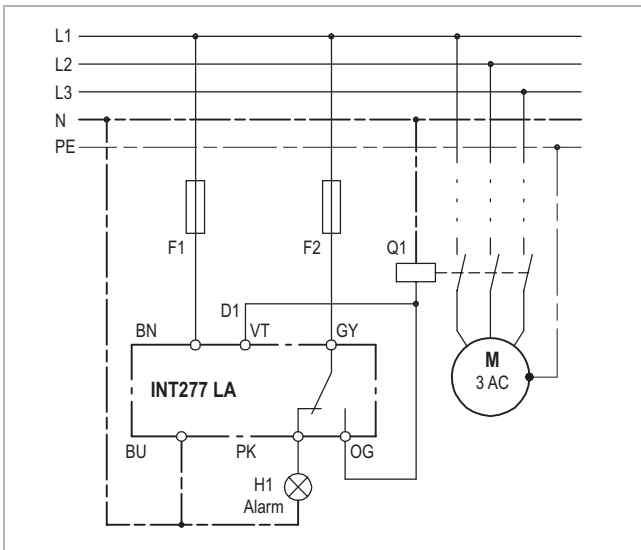
Installation instructions

1. Ensure cleanliness of thread and glass of the screw-in part.
2. Mount evaluation unit into the screw-in part. The cable outlet has to point downwards here.
3. Tighten the coupling ring hand tight.

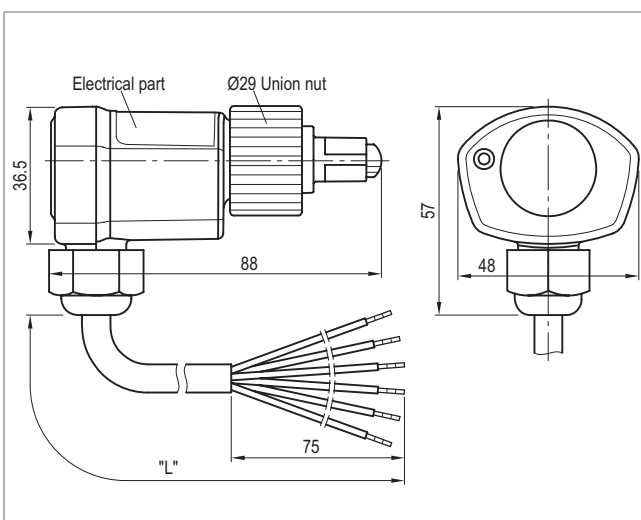


The mounting, maintenance and operation are to be carried out by an electrician. The valid European and national standards for connecting electrical equipment have to be observed.

See back side for further specifications



Wiring diagram



Dimensions in mm

Technical changes reserved



INT277 LA[®] Level monitor

INT277 LA[®]

Technical specifications

Supply voltage	
- 52 S 477 S60	AC 50/60Hz 230V ±10% 3VA
- 41 S 477 S60	AC 50/60Hz 115V ±10% 3VA
Permitted ambient temperature	-30...+60°C
Medium temperature	Max. +120°C (<1h) Max. +100°C
Permitted rel. humidity	10-95% r. h. no condensation
Input, operating recognition motor	L-potential at connection D1
Starting transition	30s ±5s
Switch delay	
- After applying the supply voltage	3s ±1s
- Level missing or fault	5s ±2s locked
Resetting the lock	Main reset >3s
Relay	
- Contact	AC 240V 2.5A C300 at least AC/DC 24V 20mA
- Mechanical service life	Approx. 1 million switching cycles
Protection class acc. to EN 60529	IP65 in mounted condition
Connection type	Cable 6 x AWG 18/7 L=1m
Housing material	PA glass-fibre-reinforced
Mounting	Union nut (torque max. 10Nm)
Dimensions	Refer to dimensions in mm
Weight	Approx. 160g
Check base	EN 61000-6-2, EN 61000-6-3 EN 61010-1 Overvoltage category II Pollution level 2
Approval	UL File No. E222056 cURus

Order data

INT277 LA Level monitor (AC 230V)	52 S 477 S60
INT277 LA Level monitor (AC 115V)	41 S 477 S60
Accessories and application information	see www.kriwan.com