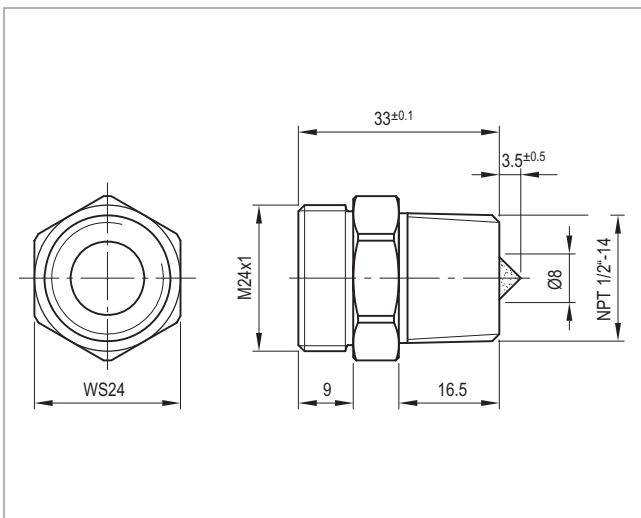


Screw-in part



Screw-in part



Dimensions in mm

Application

Optical level monitoring from KRIWAN is employed for contactless single point measurement of fluid levels, e.g. on compressors, pumps, tanks, etc. The solution consists of a screw-in part and an electrical part. The screw-in part for optical level monitoring is permanently built-in at the measuring point.

The electronic electrical part can be installed or replaced without opening the circuit of the medium to be monitored.

Functional description

Light pulses of the device hit the glass cone are refracted in fluids and reflected in gaseous environments.

This allows the installed downstream evaluation circuitry to reliably detect the fluid level.

Installation instructions

Installation: Before installation, make sure that the glass cone is clean and free of foreign objects. The maximum torque of the screw-in part is 75Nm and must be ensured by a ring spanner or a socket key. After installation, check for proper tightness.



Installation, maintenance and operation must be carried out by a specialist. The valid European and national standards for connecting refrigeration plants must be observed.

Technical specifications

Permitted ambient temperature	-30°C...+60°C
Media temperature	-30°C...+120°C
Permissible relative humidity	10-95% r. h. without condensation
Operating pressure	42bar
Burst pressure	210bar
Permissible media	Oils, refrigerants and other fluids suitable for optical monitoring which do not corrode the material of the screw-in part. Suitable for NH ₃ . A test is recommended for individual cases.
Housing material	Stainless steel
Weight	Approx. 50g
Check base	EN ISO 9227:2012 9.1: 500h Salt spray tests

Order data

Screw-in part	02 K 460 S33
Accessories and application information	see www.kriwan.com