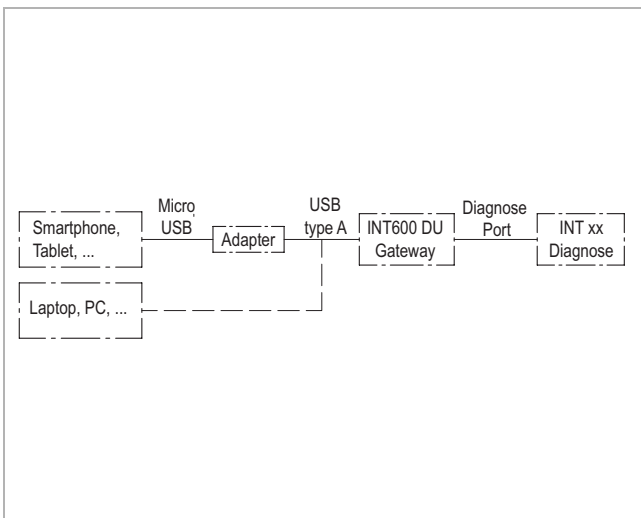


INT600 DU[®] Gateway

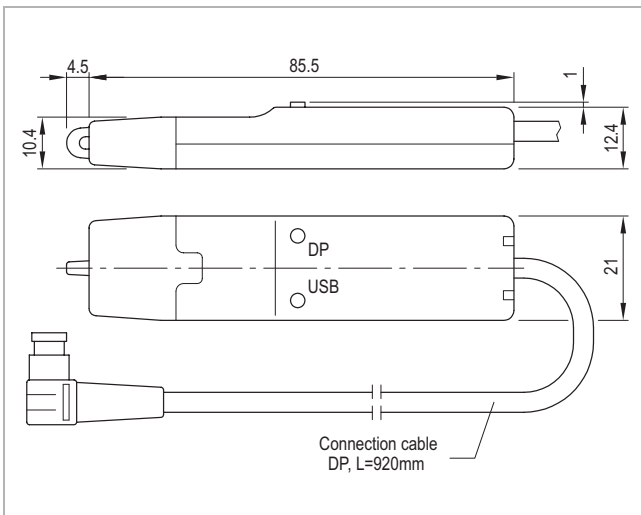
INT600 DU[®]



INT600 DU



Wiring diagram



Dimensions in mm

Application

The KRIWAN diagnosis system allows data collected in KRIWAN diagnosis devices to be output via the DP interface. As a result, users can evaluate the functioning of the machine in the real application and react more quickly to breakdowns, as necessary.

The INT600 DU Gateway allows a USB interface to be connected.

Functional description

A diagnosis device can be read via the DP input. Transfer to a USB interface enables the data to be further processed in a PC, smartphone or similar.

The 'INTspecter' Android app is available for smartphone applications. The built-in LEDs signal the current activities of the Gateway.

This Gateway is characterised by the following features:

- Direct connection of KRIWAN diagnosis devices via plug connection
- Very simple analysis of the individual interfaces by function LEDs, which flash when data is being transferred
- Simple plug-in connection of diagnosis device and PC or smartphone
- Impact and shake resistant
- μ RUS - certified

Overview flash code

USB

- Green flashing Data packages are being fetched by the app (on the visualisation device)
- Red flashing Data packages are being sent by the app (on the visualisation device)

DP

- Green flashing Data packages (sent from the diagnosis device) are being received by the DP-USB Gateway
- Red flashing Data packages (received from the diagnosis device) are being sent by the DP-USB Gateway

⚠ Only KRIWAN diagnosis devices may be connected to the DP interface.

⚠ The INT600 DU Gateway may only be used by a trained electrician.

Technical specifications

Permissible ambient temperature T_A	-10...+55°C
Power consumption	30mA
Protection class acc. to EN 60529	IP40
Connection type USB 2.0	Standard USB connector (type A)
Housing material	ABS
Dimensions	See dimensions in mm
Weight	Approx. 50g
Check base	EN 61000-6-2, EN 61000-6-3 EN 61010-1 Overvoltage category II Pollution level 2

Order data

INT600 DU Gateway	02 S 365 S21
Accessories and application information	see www.kriwan.com

Technical changes reserved