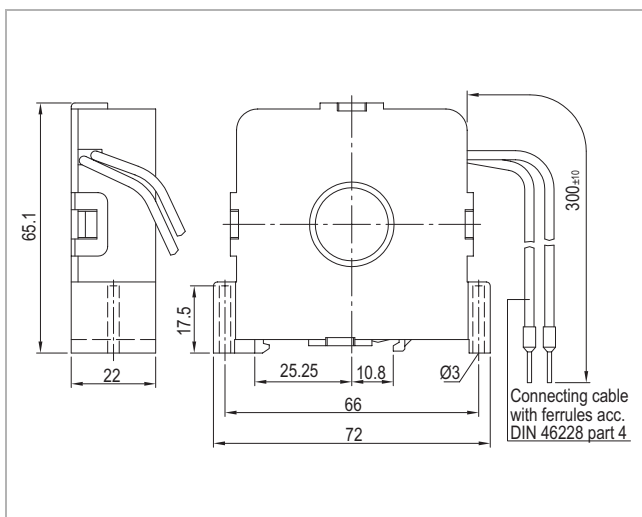


INT185[®] Current transformer

INT185[®]



INT185



Dimensions in mm

Application

The INT185 current transformer is used for registering the power consumption of machines and systems. The evaluation is done in the diagnosis motor protection unit with current input.

The small dimensions and the construction's design as a winding type transformer facilitate the installation.

Technical specifications

Current range	AC 50/60Hz 3-100A
Accuracy	±1% at a load of 33Ω and 20°C
Transformation ratio	1:2500
Permissible ambient temperature T _A	-30...+70°C
Permissible relative humidity	5-95% RH
Protection class acc. to EN 60529	IP20
Connection type	Wires with ferrules
Housing material	PA glass-fibre-reinforced
Mounting	
- Type	Can be snapped onto 35mm standard rail acc. to EN 60715 or screw mounted
- Suitable screw	Self-tapping for plastic, 3.5x12mm
Dimensions	Refer to dimensions in mm
Weight	150g
Check base	EN 61558-1 Overvoltage category II Pollution level 2

Order data

INT185 Current transformer	02 D 186
Accessories and application information	see www.kriwan.com